

VARIANT 16-1/2" ROUND ABOVE COUNTER BASIN

Cat.No.
5-511WH



Faucet not included

Basin diameter: 16-1/2"
H: 5"

Base: 11-1/2" x 8-3/4"

***Please do NOT drill hole without actual product.**

Interior Dimensions:

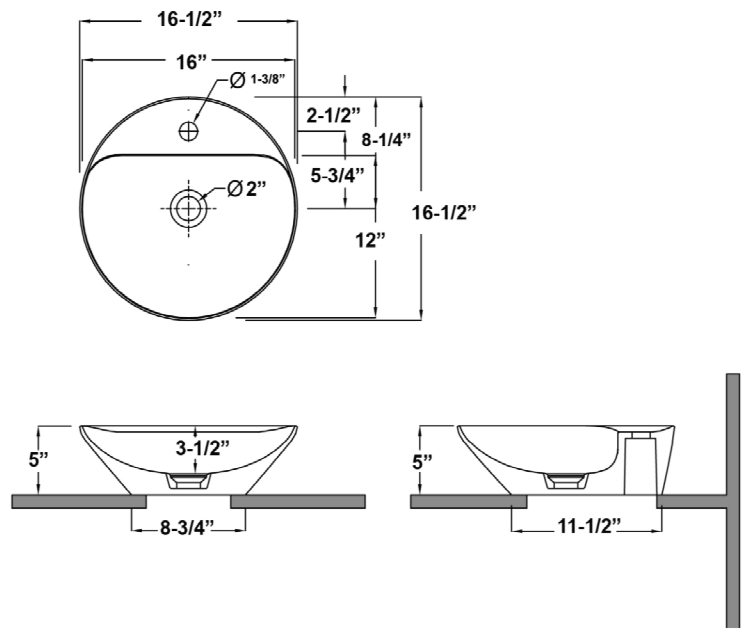
Basin Interior: 15-3/4" x 12"
Basin Depth: 3-1/2"
Back of basin to center of drain: 8-1/4"

Features:

- ▶ Above counter basin
- ▶ Vitreous china for durability
- ▶ No overflow
- ▶ Drain not provided
- ▶ 1-3/8" faucet hole
- ▶ Can be used with grid drain #5601, 57100 pop-up drain (Not included)

Colors:
WH White

Compliance Certification
Meets or exceeds the following specifications: ASME A112.19.2 2018 and CSA B45.1-18 for ceramic plumbing fixtures.



Dimensions of fixture are nominal and may vary within the range of tolerances established by AMSE Standard A112.19.2.2013 Dimensions and specifications subject to change without notice.